



Scene application requirements

Hotel	████████████████████
Restaurant	████████████████████
Fast food	████████████████████
Bar	████████████████████
Disco	████████████████████
Fish market	██████████
Supermarket	████████████████████
Ice cubes Sales	████████████████████
Medical & Spa	████████████████████
Industry	████████████████████

Self-contained ice maker system Daily production up to 500kg

Crafted for premium commercial settings, this split-type ice maker redefines ice production with its signature crescent-shaped cubes. The innovative separated structure enhances spatial flexibility and cooling efficiency while maintaining a sleek design. It consistently delivers crystal-clear, slow-melting crescent ice that naturally hugs the glass—keeping drinks colder longer without diluting their flavor. The elegant, shimmering arc adds visual appeal to cocktails, whiskey, coffee, and tea. Easy to maintain and clean, it's an ideal choice for bars, specialty cafes, modern tea houses, and upscale events.



Output:500kg/24h Color:Stainless steel

Features & Plus

- Automatic water intake and low water alarm
- Ice making will automatically stop when the ice is full
- 10-Second Quick-Release Tank Easy to remove and clean, keeps water fresh.
- Quiet Ice Bin Damped design for silent operation.
- One-Touch Self-Clean Automates cleaning
- Optional UV Sterilization Added protection against bacteria for safe, clean ice.

Testing Conditions

24h icemaking test conditions:
 room temperature 21 C,
 water temperature 10 C.
 In case of any discrepancy, the actual product shall prevail.

Available ice cube size

- Ice Cube Trays: 672
- 30x38x13 mm

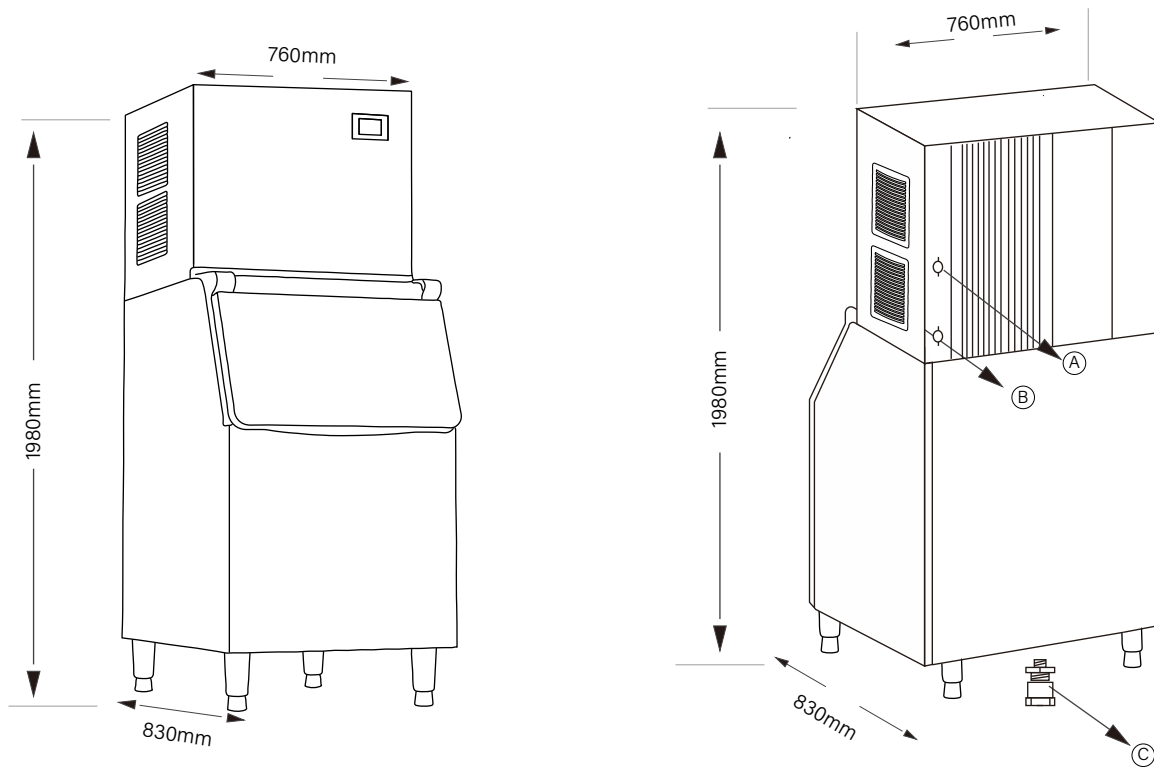
Key Performance Indicators

- Design Life: 150,000 cycles
- Core Components Life: 5 years
- Annual Failure Rate: ≤1.5 times (field technical support provided)
- Water Output Error: ±5%
- Ice Discharge Temperature Error: ±3℃



Certifications available for this model





Connections

- Ⓐ Ice making water inlet Ⓑ Drain Ⓒ Power Cord Ⓓ Water Filter

Technical information

Machine dimension	760x830x1980 mm	Machine Weigh	110kg
Rated power/current	2500W	Rated voltage	220V
Rated frequency	50Hz	Inner liner capacity	300kg/661.4lb
24hour per day capacity	500kg/1102.3lb	Ice grids	30*38*13mm
Refrigerant	R404A	Cooled type	Air/Water-cooled

Storage and installation

Storage temperature: 5 to 50 °C Storage humidity: 10% to 70% Operating ambient temperature: 5 to 40 °C ambient humidity: 10% to 80%
 inlet water pressure: 1-5.5Bar Inlet water hardness: 0-8°DH Waterproof rating: IPX3

Implementation Standards

GB4706.1-2005/GB4706.36-2014 Production License Number: (Guangdong) XK01-302-1066

